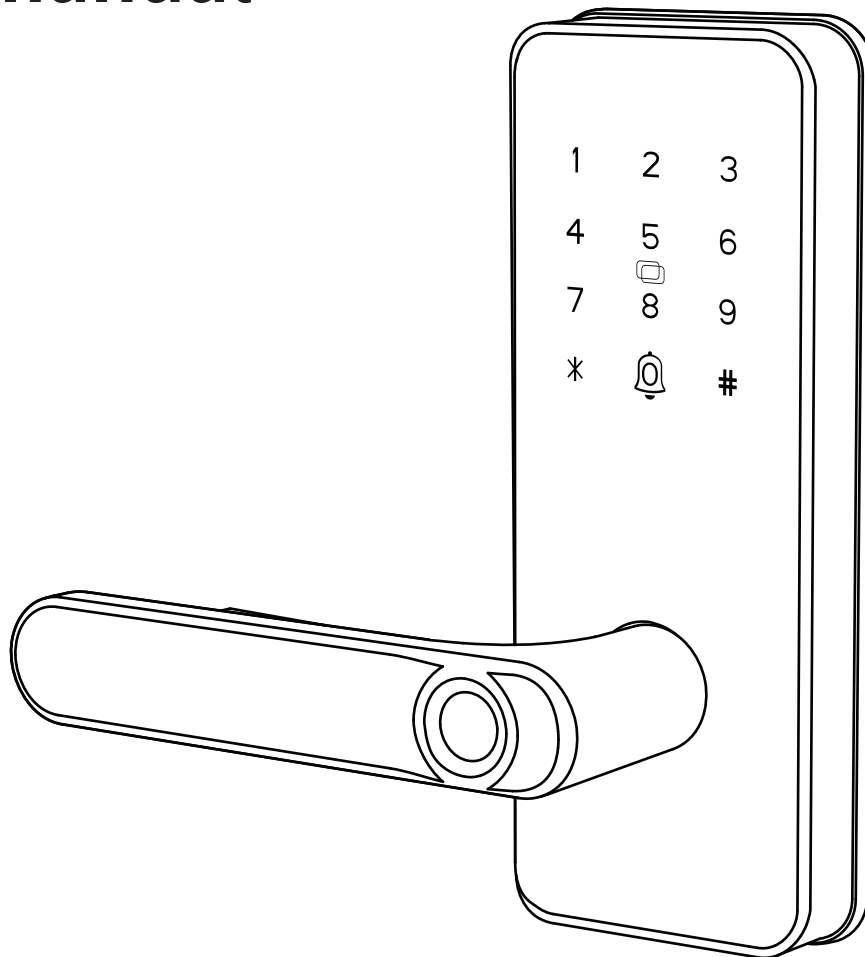



L40 Smart Lock

User's manual




Proscenic Technology Co., Ltd.

To ensure you get better customer support guarantee

 www.proscenic.com

We are always here to protect your rights

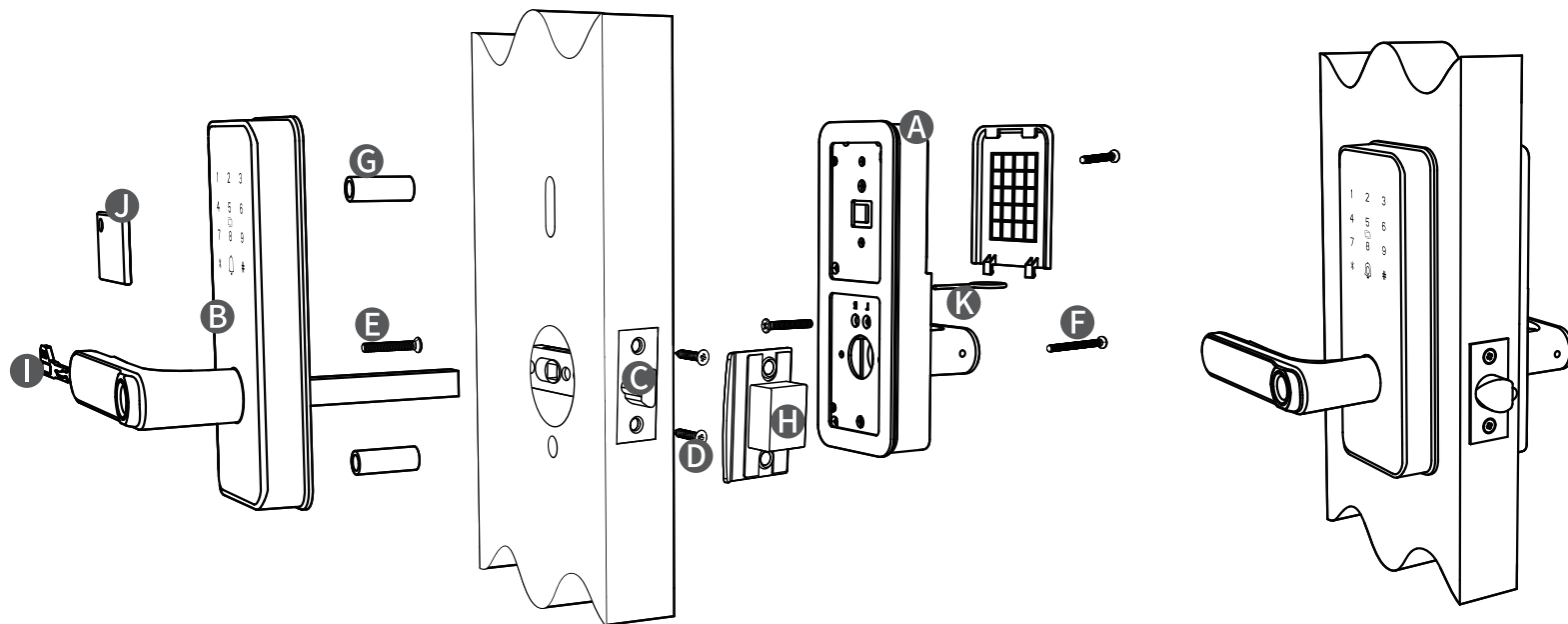
 support@proscenic.com

- Please read this manual carefully before use.
- The smart lock is available for both left-handed and right-handed doors. To avoid any unexpected issue, such as the opposite of lock and unlock, please carefully refer to the instructions.
- Any problem, please contact customer service first!

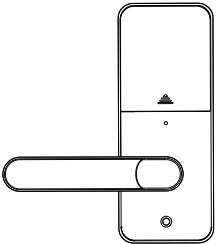
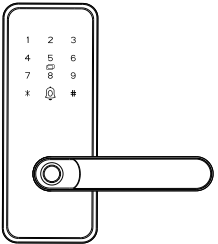
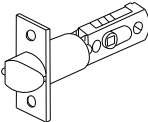
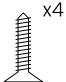
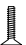
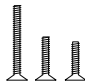

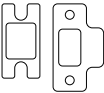

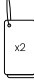

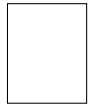
TABLE OF CONTENTS

INSTALLATION OVERVIEW	01
PRODUCT OVERVIEW	02
CHECK DOOR OPEN DIRECTION	03
SETTING UP THE SMART LOCK	05
GATEWAY	09
BASIC OPERATIONS	09
To Lock the Door	09
IMPORTANT SAFETY INSTRUCTIONS	09
TROUBLESHOOTING	10
PROSCENIC - LIMITED WARRANTY	11

INSTALLATION OVERVIEW



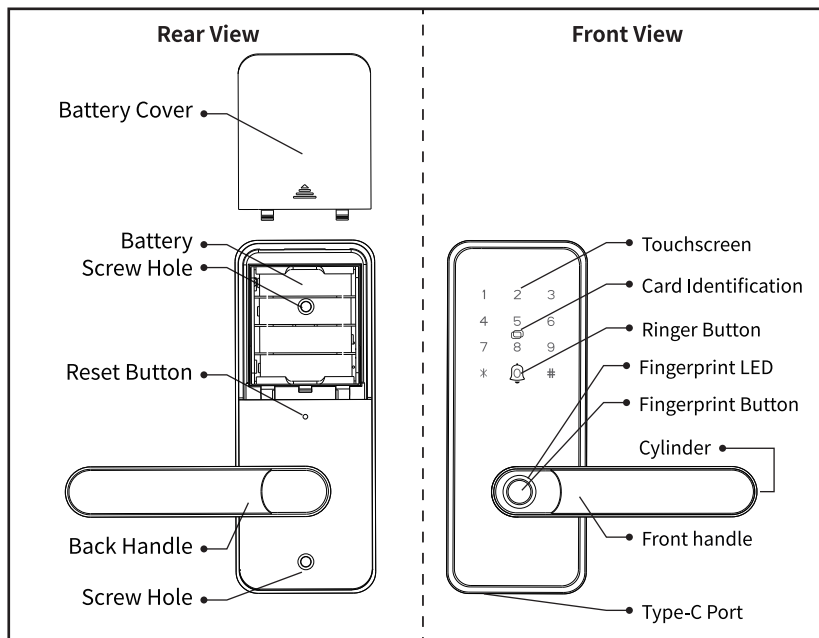
WHAT'S INCLUDED

<p>A</p>  <p>Interior Assembly</p>	<p>B</p>  <p>Exterior Assembly</p>	<p>C</p>  <p>Deadbolt</p>	<p>D</p>  <p>Deadbolt Screws / Strike Plate Screws</p>	<p>E</p>  <p>Exterior Assembly Screws</p>	<p>F</p>  <p>Interior Assembly Screws</p>	<p>G</p>  <p>Connecting Solenoid*2</p>
<p>H</p>  <p>Strike Plate</p>	<p>I</p>  <p>Key*2</p>	<p>J</p>  <p>Card*2</p>	<p>K</p>  <p>Reset Needle</p>	<p>L</p>  <p>Bore Hole Drawing*2</p>		

Note: Before installing the lock, please check all accessories are present.

If drilling is needed, please drill according to the bore hole drawing or seek a professional assistance in order to avoid unnecessary damage.

PRODUCT OVERVIEW



INSTALLATION OVERVIEW

1. TEMPLATE

- Please choose the correct hole template according to your backset (Figure 1a).
- Fold the template and place the marker on the door (Figure 1b).

2. MARK THE DOOR FOR DRILLING

- Mark center hole on door edge through guidance on template for 0.94" (24mm) deadbolt (Figure 2a).
- Mark center hole and other 2 holes on door face through guidance on template for 2.36" (60mm) or 2.76" (70mm) (Figure 2b) backset.

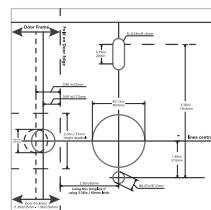
3. DRILL AND CHISEL DOOR

- Drill 2.13" (54mm) hole through door panel as marked for lock set (Figure 3a).
- Drill the hole through door panel as marked for lock set (Figure 3b).
- Drill 0.47" (12mm) hole through door panel as marked for lock set (Figure 3c).
- Drill 0.94" (24mm) hole in center of door edge for Deadbolt Assembly (Figure 3d).
- Insert Deadbolt Assembly in hole keeping it parallel to face of door. Mark outline and remove deadbolt (Figure 3e).
- Chisel 0.12" (3mm) deep or until deadbolt face is flush with door edge (Figure 3f).

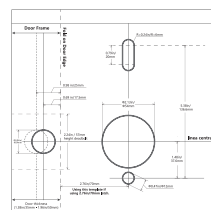


NOTE : For the drive-in deadbolt, drill the hole size indicated on the template and press until it is flush with the door edge.

Hole Template



2.36" (60mm)



2.76" (70mm)

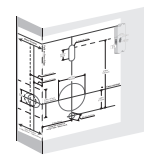


Figure 1b

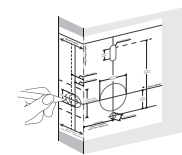


Figure 2a

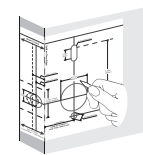


Figure 2b

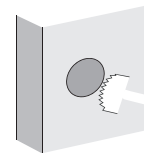


Figure 3a

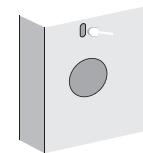


Figure 3b

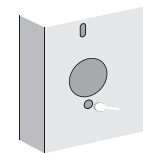


Figure 3c

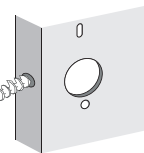


Figure 3d

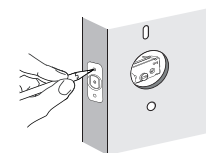


Figure 3e

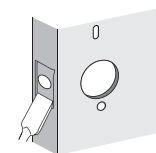


Figure 3f

4. MARK AND DRILL DOOR JAMB

- Mark center hole on edge of jamb even with the center of the deadbolt on door edge (Figure 4a).
- Drill 0.47" (12mm) deep in door jamb on center mark (Figure 4b).
- Outline outside edges of Strike Plate (Figure 4c).
- Chisel 0.1" (2mm) deep for Strike Plate or until it is flush (Figure 4d).
- Install Strike Plate using 2 strike plate screws (D) provided (Figure 4e).



NOTE : For the drive-in deadbolt, drill the hole size indicated on the template and press until it is flush with the door edge.

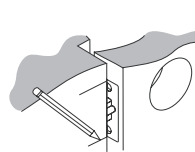


Figure 4a

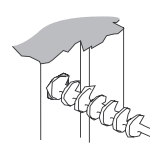


Figure 4b

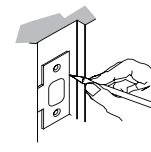


Figure 4c

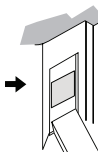


Figure 4d

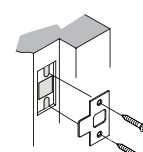


Figure 4e

Tools Required

Tools Required for Installation on Undrilled Doors

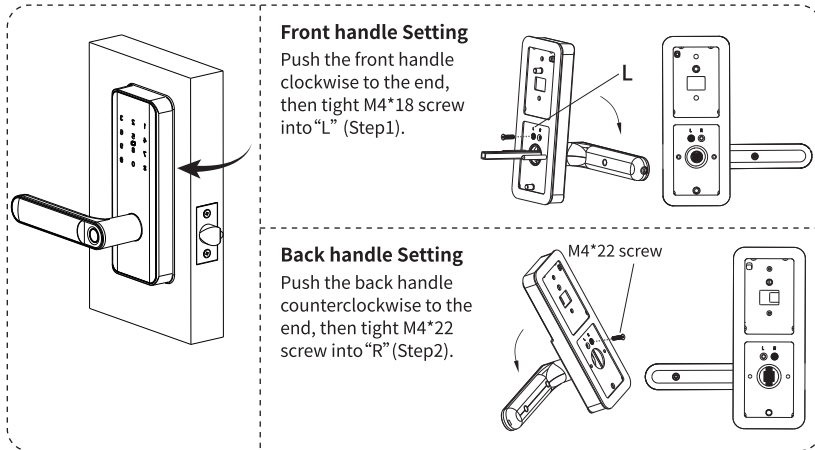
Screwdriver (DO NOT USE POWER DRILL !)



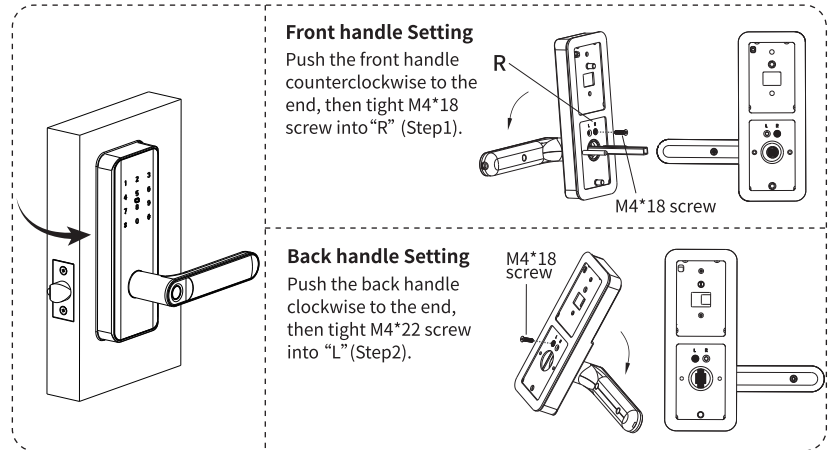
CHECK DOOR OPEN DIRECTION

There are some differences between the left-handed and right-handed doors. Check your door orientation and switch the toggle to the appropriate orientation.

Left-Handed Open Way

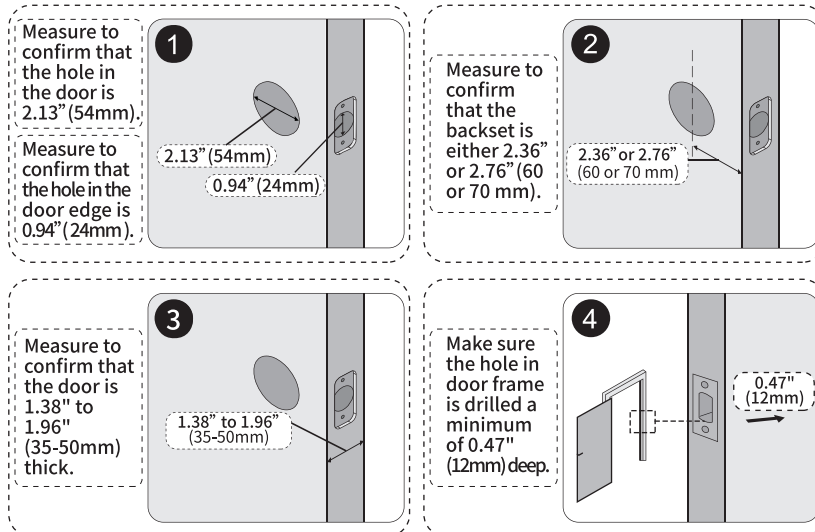


Right-Handed Open Way



1

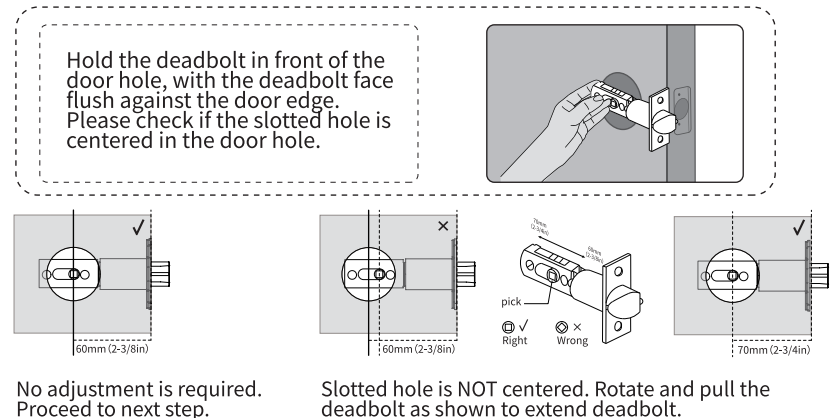
Prepare the door and check dimensions



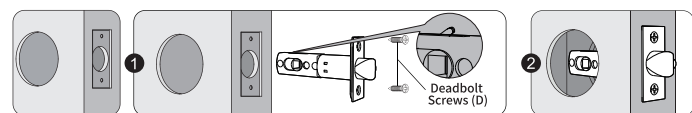
2

Install the Deadbolt

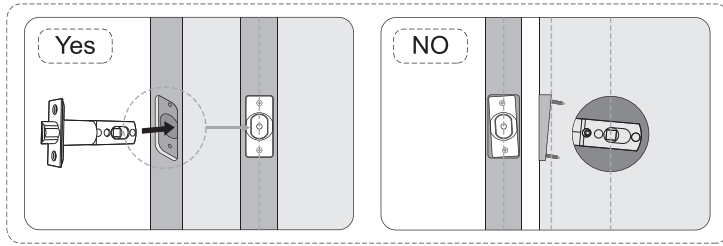
A Adjust the deadbolt



B Install the deadbolt screws

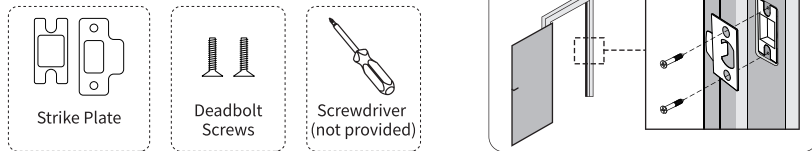


B Install the deadbolt screws



C Install the strike plate on the door frame.

What is required:

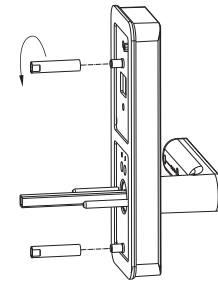


IMPORTANT: Make sure the hole in the door frame is drilled 0.47" (12mm) deep.

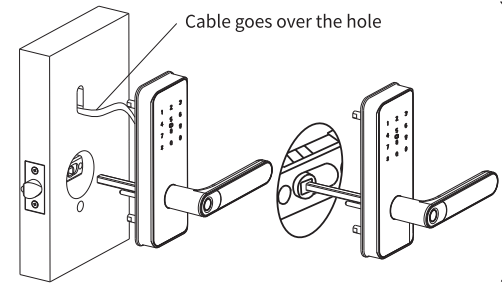
3

Install the Exterior Assembly (Step 4)

Use 2 Connecting Solenoids on mounting plate and tighten them.



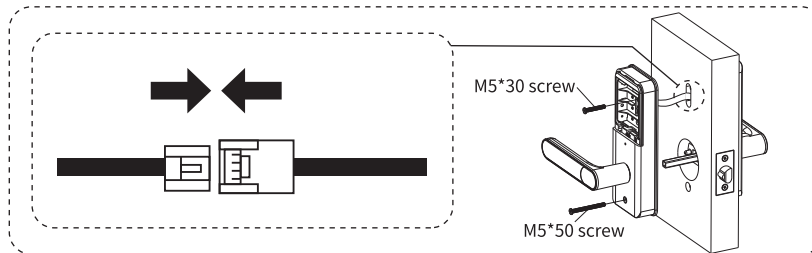
Put exterior assembly accessory into right position.



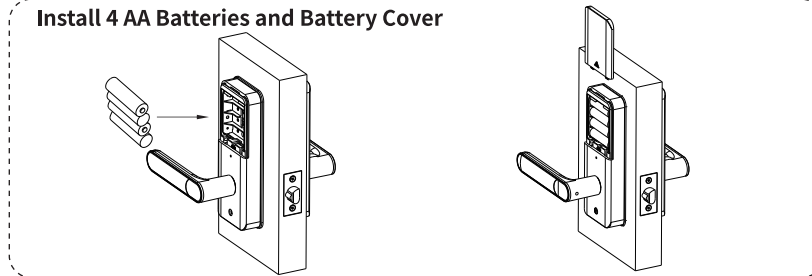
4

Connect wire connector and install Interior Assembly (Step 5)

Connect the wire of exterior assembly and interior assembly. Connect the hole of back handle to the spindle of exterior assembly, push in interior assembly and use screws to tight the exterior assembly and interior assembly.

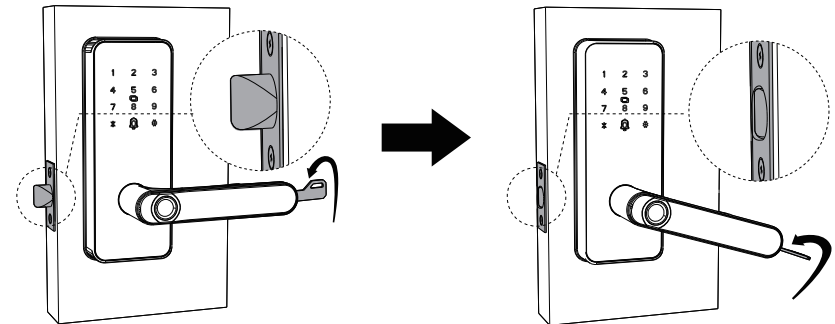


Install 4 AA Batteries and Battery Cover



5

Insert the key and test the installation



SETTING UP THE SMART LOCK

APP Connection

To lock and unlock your smart lock, pair your phone with Smart Lock and set passcode/fingerprint/IC card.

1. Download app from the App Store (for iOS) or Google Play (for Android).
2. Open the app and create an account.
3. Two connect method:
 - 1) Tap “+” icon, add “L40” to your account.
 - 2) Tap New Product of product list, add “L40” to your account.
4. Follow instructions in the app to set up Bluetooth connection.



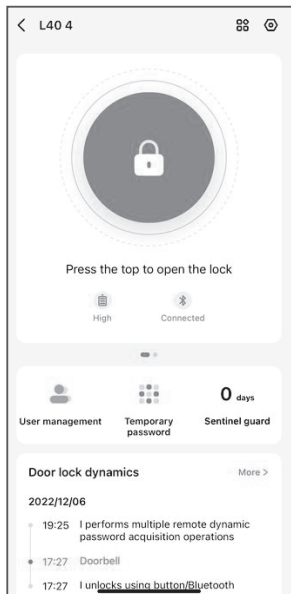
Before starting, make sure to:

1. Turn on Bluetooth on your phone.
 2. iOS devices running version 10.2 and later versions
 3. Android devices running version 5.0 and later versions
- Paired: the keypad and fingerprint LED keep lighting up for 2 seconds.

Note:

- The user that is paired is the only administrator and can authorize other users to use the lock.
- Before paired, all unregistered fingerprints, IC cards or passwords can be unlocked.
- Press and hold the button again the lock will return to default settings. All the settings will be erased and need to be reset. DO NOT press and hold the button if unnecessary.
- If the pair fails, long press the reset button until the lights 6, 5, 4, 3, 2, and 1 light up. After that, the lights 1, 3, 5, 7, and 9 blink nine times; the fingerprint LED light is solid green and later turns off. Then the reset is done.
- If bluetooth is paired, to reconnect app after resetting the device, you need to tap on the keypad to activate bluetooth distribution.

LOCK OVERVIEW



Unlock

Unlock while connecting Bluetooth on phone.

Remote Dynamic Password

Generate a random 10-digit temporary password with one click, valid for single use and valid for 6 hours.

Battery Level Status

Check the status of battery level.

Records

View the entry history, users, and attempts.

Member management

Create and edit admin, family members and non-family members.

Temporary Code

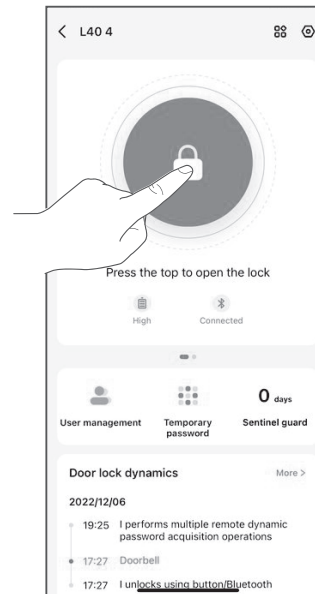
Create or randomly generate an 8-digit password, user can set schedule.

More Functions

View and modify settings.

Sentinel Guard

View protection days and protection type.



Unlock

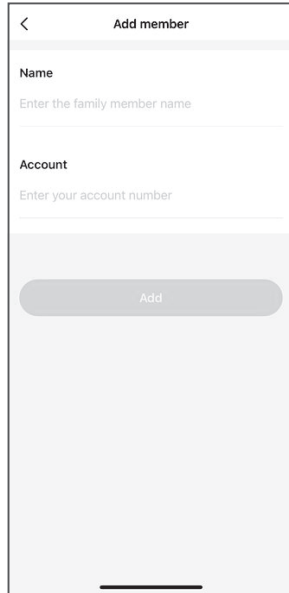
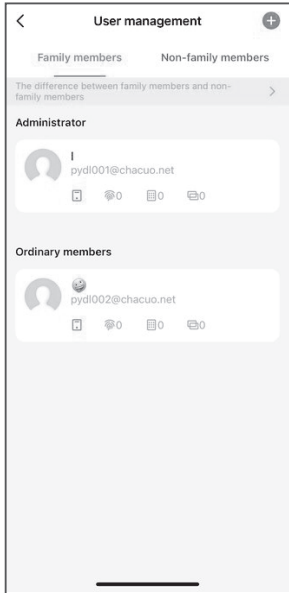
To unlock the lock, long press the button.

Note:

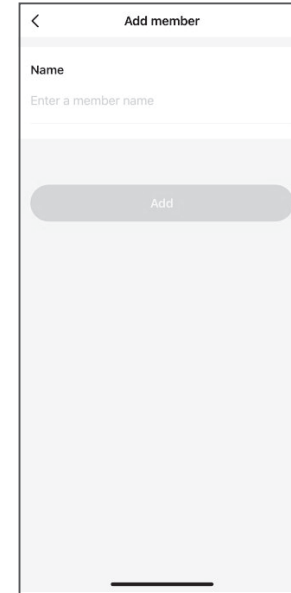
This will only work while you are within bluetooth range of the lock, refer to gateway guide for remote unlock information.

Member management

Ways to manage family members and non-family members.

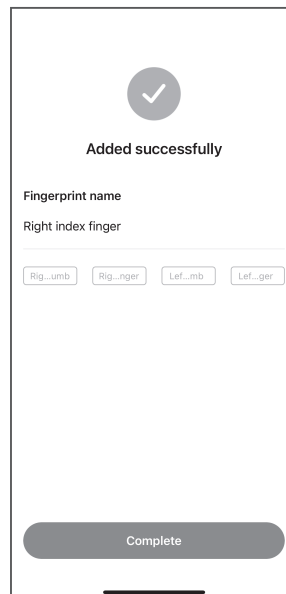
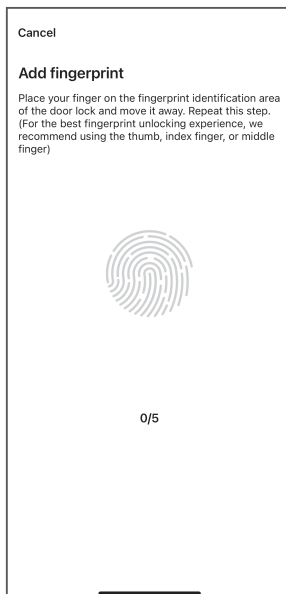
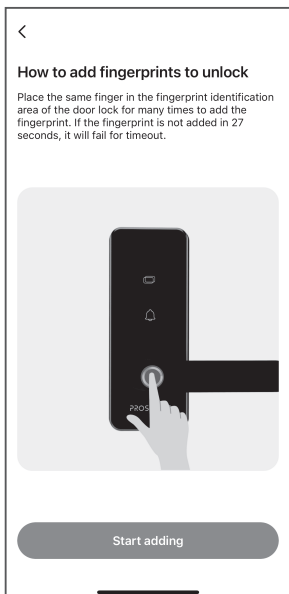


Family Member:
1) Register the App account, and connect to Bluetooth to control unlock function.
Also allows using registered passcode/ fingerprint/ and IC card to unlock.



Non-Family Member:
2) Only allows using registered passcode/ fingerprint/ and IC card to unlock.

To Register member unlock information

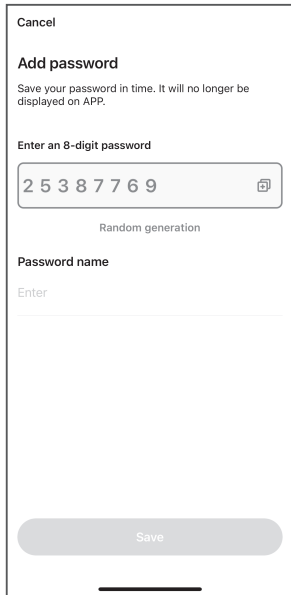


Register Fingerprint

The Proscenic app will prompt you to register your fingerprint. Register your fingerprint by placing a finger on the touch screen and check the validation. If valid, the fingerprint is recorded successfully. You will be required to register fingerprints 5 times to confirm identity for security purposes.

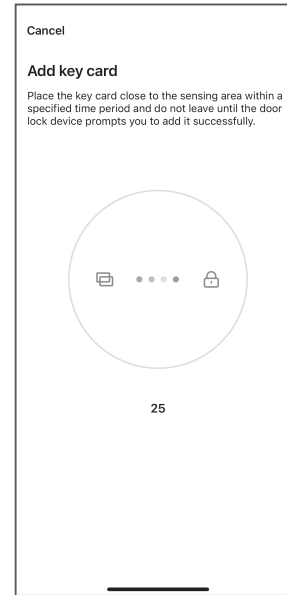
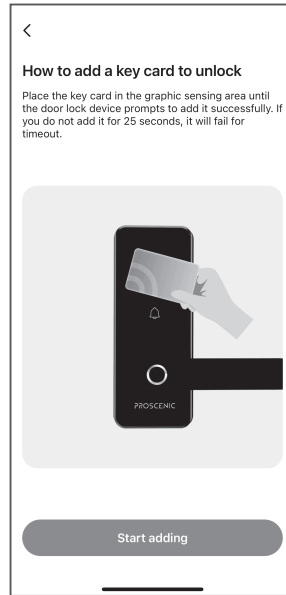
For each entry, the numbers 5, 4, 3, 2, and 1 will count down in sequence, and the fingerprint LED light turns blue to green. After the recording is complete, the screen will be on for 1 second and then off.

To Register member unlock information



Register Passcode

Generate a setted or random 8-digit password.

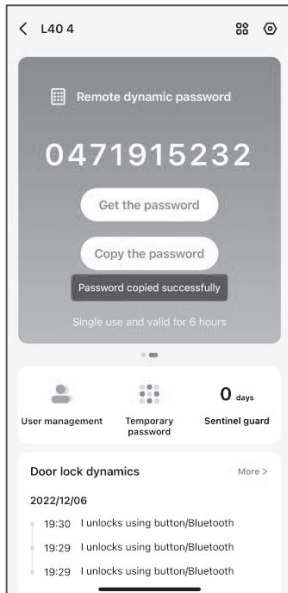


Register Card

The Proscenic app will prompt you to register your card. Put the card in the sensing area of touch screen to register card.

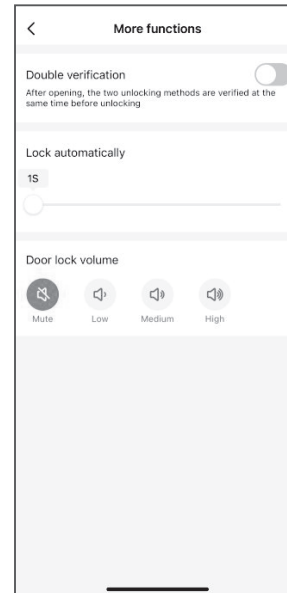
Note:

- If your fingerprint is invalid, the fingerprint light will breathe red once and a prompt tone will be heard. Move your finger slightly and try again.
- People aged over 70 and children under 5 are recommended to use the keypad to set passcodes.



Remote Dynamic Password

Generate a random password, the password can only be used single time, and is valid for 6 hours.

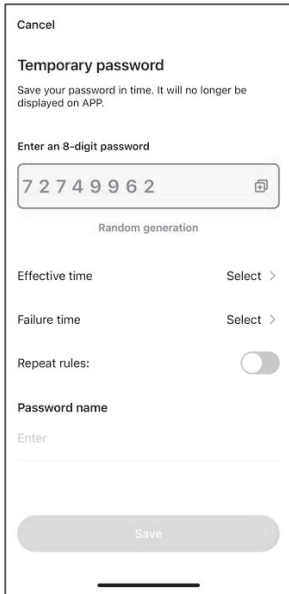


More functions

Lock Volume
Lock volume is adjustable to mute, low, medium, high modes.

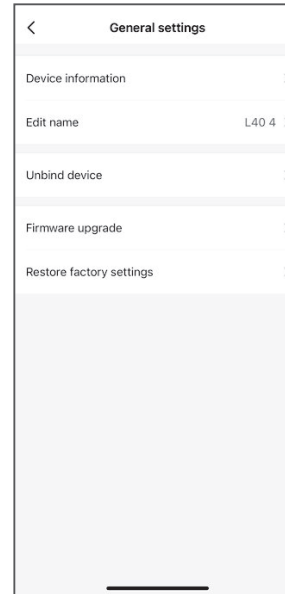
Auto Lock

The auto-lock will automatically activate after 6 seconds when the door is closed by default. Auto-lock activation time is adjustable.



Temporary Code

Create an 8-digit password or randomly generate a password for temporary uses, remember to set the effective and the expiration time for password validation. Set repeat rules to match your routines.



General settings

Remove Device

Swipe right to unbind the device, the registered fingerprint/password/card unlocking information is retained. You need to long press the reset button to set up bluetooth distribution again if you want to use the Proscenic app.

Factory Reset

Clear all data on the device, restore to factory settings, and automatically unbind. You need to set up bluetooth distribution again if you want to use the Proscenic app.

Note:

All operation can be done only within the bluetooth range unless a Proscenic gateway is connected.

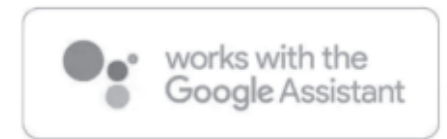
OTHER SETTINGS

The features are listed as follows:

- Add total capacity 250 fingerprint/passcode/card: up to 100 pcs fingerprint, 100 pcs passcode and 100 pcs card.
- Set language: English.
- Synchronize time for lock with the time on your phone.
- Automatically record door opening and locking log.
- Anti-peep Keypad: Add random digits before or after the correct passcode to prevent prying eyes. The anti-peep passcode should be no more than 20 digits in total.
- After 5 consecutive failed attempts to input the passcode, fingerprint scanner and passcode will be paused to use for 3 minutes.
- Door Bell Function: When the keypad lights off, press "0", the lock will ring.

WORKS WITH THE GOOGLE ASSISTANT / AMAZON ALEXA

The Smart Lock can work with the Google Assistant / Amazon Alexa app. With Google Home or Amazon Alexa devices at home, you can lock or unlock the door using voice commands.



Note:

- Make sure your smart lock is connected to the gateway.
- Make sure you've downloaded the Google Assistant or Amazon Alexa app on your phone.
- Make sure your Google Home or Amazon Alexa devices are connected to the network.

GATEWAY

The Proscenic gateway bridges any nearby locks to your local WIFI allowing for remote control.

With the Proscenic gateway connected.

- Receive unlock notifications wherever you are.
- Remote unlock/lock.
- Check access logs whenever you need them.
- Generate, edit, or delete custom codes for your guests.
- Works with the Google Assistant / Amazon Alexa.
- Check battery level remotely.

BASIC OPERATIONS

Unlock the Door

You can unlock the door using a valid passcode, fingerprint, card, Proscenic app, or the provided key.

To unlock the door:

Option 1: Use the fingerprint scanner

1. Scan your fingerprint and wait until the fingerprint light breathes once in green, the door will be unlocked within 1 second.
2. If failed, the light will breathe once in red. Repeat the steps to unlock.

Option 2: Use the passcode

1. Press any key or tap the touchscreen to wake up the keypad. The keypad will light on.
2. Enter your passcode, press the “#” button to confirm. If the passcode is correct, the door will unlock. If not, a beep will be heard.
3. If you fail to unlock the door for 5 consecutive times using the passcode, you can also follow the in-app instructions or use the provided key to unlock the door.

Note

Constantly open mode: After the administrator opens the door, press “5#” on the touch screen to keep the lock in open mode; then enter the correct password/fingerprint/card to exit the constantly open mode.

Option 3: Use the Card

1. Scan your card and wait for unlock.

Option 4: Use the Proscenic app

1. Open the Proscenic app. The app will search for Smart Lock Bluetooth and connect.
2. Follow the on-screen instructions on the Proscenic app to unlock the door.

Option 5: Use the provided key

If you fail to unlock the door after 5 consecutive times using the passcode/fingerprint/card, use the provided key to unlock the door.

To Lock the Door

There are several options to lock the door.

Option 1: Auto lock function

1. The smart lock will be locked automatically after 6s by default. With the "Auto-lock" options in Proscenic App, you can customize the auto lock duration.

Option 2: Use the provided key

IMPORTANT SAFETY INSTRUCTIONS

- This lock shall only be used as described in this manual.
- **DO NOT** attempt to repair the product without authorization.
- **DO NOT** use excessive force or sharp objects to press lock buttons, as this can damage the product.
- Make sure the door is completely closed when going outside. The manufacturer does not assume responsibility for any harm caused by your improper closing of the door.
- Replace batteries when the low battery alarm is heard.
- Change your passcode regularly to ensure security.
- Verify that all parts of the lock are account for. If any parts are missing, contact our customer service.
- Use only four AA batteries. Do not mix old and new batteries or batteries from different brands.
- Verify all surfaces are flat and level before beginning installation, installation on doors or surface with any types of deformity such as gaps or warping may cause the lock to malfunction or fail to operate entirely.
- **Never** apply any cleaner directly to any part of the lock. Only use clean water and mild cleaner on a soft nonabrasive cloth when cleaning.
- Potential shock warning: do not allow water or liquids to get into lock's electric parts.
- The lock is used with Proscenic app. The lock will function without the app but full functionality may only be achieved when the app is used.
- Please lubricate the lock body and the cylinder from time to time to ensure smooth operation.
- Please keep the lock away from corrosives.
- Please keep your mechanical keys and cards in a secure place.
- Please check whether the lock is properly fastened every 6 months.

TROUBLESHOOTING

1. How can I unlock the door if I entered a code or fingerprint incorrectly too many times and my lock will not accept any new inputs?
 - Unlock the lock via the app or wait 3 minutes.
2. How can I unlock the door if the smart lock doesn't work?
 - Use the provided key to unlock.
 - Remove the batteries, and reinstall them to restart the smart lock.
 - Press the Reset button on the bottom to reset the smart lock.
3. How can I unlock the door if the smart lock's battery runs low?
 - Plug one end of a power cable into the type-C port of the smart lock and the other end to a charger for emergency charging.
 - Change the battery after unlock the lock.
4. How to delete the registered fingerprint and passcode?
 - Open your Proscenic app, and repeat steps mentioned in "Register Fingerprint" to pair. then you can delete the registered fingerprints and passcode.
5. The Smart Lock ringtone is too loud.
 - Open the Proscenic app and pair your phone with your smart lock. You can set the ringtone volume on the Proscenic app.
6. Why the smart lock's battery drains so quickly?
 - Make sure you use the standard battery.
 - Check whether water spills in the Interior Assembly. Exposure to water will drain the battery quickly.
 - Contact Customer Service for technical support via Proscenic app or email.
7. How do I share access of the lock on 2 different phones?
 - Refer to page of Member management-Add Family Member.

For troubleshooting, check the installation video and instructions. Or you can contact Customer Service staff for technical support via the Proscenic app or email.

FCC Compliance Statement

This device complies with Part 15 of the FCC Rules. Operation is subject to the following two conditions: (1) This device may not cause harmful interference, and (2) this device must accept any interference received, including interference that may cause undesired operation.

Warning: Changes or modifications not expressly approved by the party responsible for compliance could void the user's authority to operate the equipment. Note: This equipment has been tested and found to comply with the limits for a Class B digital device, pursuant to Part 15 of the FCC Rules. These limits are designed to provide reasonable protection against harmful interference in a residential installation. This equipment generates, uses, and can radiate radio frequency energy and, if not installed and used in accordance with the instructions, may cause harmful interference to radio communications. However, there is no guarantee that interference will not occur in a particular installation. If this equipment does cause harmful interference to radio or television reception, which can be determined by turning the equipment off and on, the user is encouraged to try to correct the interference by one or more of the following measures: (1) Reorient or relocate the receiving antenna. (2) Increase the separation between the equipment and receiver. (3) Connect the equipment into an outlet on a circuit different from that to which the receiver is connected. (4) Consult the dealer or an experienced radio/ TV technician for help.

FCC Radiation Exposure Statement:

This equipment complies with FCC radiation exposure limits set forth for an uncontrolled environment. This equipment should be installed and operated with minimum distance 20cm between the radiator & your body.

FCC ID: 2ANDL-BT3L

This device complies with Part 15 of the FCC Rules. Operation is subject to the following two conditions:

- (1) this device may not cause harmful interference, and
- (2) this device must accept any interference received, including interference that may cause undesired operation.

PROSCENIC - LIMITED WARRANTY

- The limited warranty applies to purchases made from authorised retailers of Proscenic. Warranty coverage applies to the original owner and to the original product only and is not transferable.
- Proscenic warrants that the unit shall be free from defects in material for a period of one year from the date of purchase when it is used under normal household conditions and maintained according to the requirements outlined in this instruction manual, subject to the following conditions and exclusions. Refurbished products sold by Proscenic come with their own unique warranty that you can find on the product listing or contact us at support@proscenic.com with your order receipt for confirmation. Non-consumables such as motor bought separately come with 3-month limited warranty.

Product Registration

Apart from sufficient proof of purchase, online product registration may also be required in case of warranty claim, thus we highly recommend that upon purchase, you register your product(s) on Proscenic's official website (www.proscenic.com) for reference and enjoy potential exclusive benefits. To register, please select the corresponding purchase channel along with the correct order number and product's serial number (SN).

REMEDY

- 1.The original unit deemed defective, according to Proscenic's sole discretion, will be repaired or replaced for up to one year from the original purchase date.
- 2.In the rare event that a replacement unit is issued, the warranty coverage ends ninety (90) days following the receipt date of the replacement unit or the remainder of the existing warranty, whichever is greater. If the unit is replaced, Proscenic reserves the right to replace unit with one of equal or greater value.

EXCLUSION

Unless agreed in writing, the Limited Warranty will not apply to consequential and incidental damages and not apply if the defect(s) relate to:

- 1.Consumable parts such as filters or brushes etc. that are subject to normal wear and tear, and require regular maintenance and/or replacement to ensure the proper functioning of your unit.
- 2.Defects caused by rough or inappropriate handling or use or damage caused by accident, misuse, neglect, fire, water, lightning or other acts of nature, external sources such as weather, electrical outages or power surges.
- 3.Improper operation or maintenance, use not in accordance with the Product instructions or connection to improper voltage supply.
- 4.Negligent use or care, neglect or careless operation or misuse of the Product.
- 5.Accident, abuse, misapplication, or any unauthorised repair, modification or disassembly or opening of the chassis of the Product.
- 6.Any failure by Buyer or a third party to comply with environmental and storage requirements for the Product specified by Seller.
- 7.Any failure to adequately package the Product for transportation.
- 8.If the battery has been short-circuited, if the seals of the battery enclosure of the cells are broken or show evidence of intervention or if the battery has been used in equipment other than that for which it has been specified.

- 9.Use of parts not in accordance with the Product instructions.
- 10.Use of parts and accessories other than those produced or recommended by Proscenic.
- 11.Use in a commercial environment as the Product is designed for residential use only.
- 12.Extreme or external causes beyond our reasonable control including but not limited to: breakdowns, fluctuation, or interruptions in electric power, ISP (internet service provider) service or wireless networks.
- 13.Weak and/or inconsistent wireless signal strength in your home.
- 14.Any product(s) purchased from unauthorised dealers/resellers.
- 15.Products used outside the country of purchase.
Lost and/or stolen products.

DISCLAIMER

This Limited Warranty is your sole and exclusive remedy against Proscenic's sole and exclusive liability in respect of defects in your Product. This Limited Warranty replaces all other Proscenic warranties and liabilities, whether oral or written.

WARRANTY SERVICE

For Retailer Store purchasing

If you wish to make a warranty claim, please contact your local distributor.

Upon contacting your distributor, please have the serial number of your Product ready and the original proof of purchase from an authorised reseller, showing the date of purchase and full details of the Product.

For Online Store purchasing

Please reach us by either of these channels

Live Chat: www.proscenic.com

Email: support@proscenic.com

Tel: (Only in English and Japanese currently. More languages support coming soon...)

EU: +44 (0)808 273 7688 Mon-Fri

US & CA: +1(833) 313 1310 Mon-Fri

JP: 050-5533-2720 Mon-Fri

When calling the customer support center, please have the order number for the purchase of the Proscenic product from the authorised retailer ready.

Customer Service

Email: support@proscenic.com

Europe	North & South America	Japan
+ 44 (0)808 273 7688	+ 1(833) 313 1310	050-5533-2720
Mon-Fri	Mon-Fri	Mon-Fri

Tel: (Only in English and Japanese currently. More languages support coming soon...)

Proscenic Technology Co., Ltd. (Authorized manufacturer)

Shenzhen Proscenic Technology Co., Ltd. (manufacturer)

Floor 8, Block A, building 5, Tusincere Park, Longcheng street,
Longgang district, Shenzhen City, China

PROSCENIC EU LTD

71-75 Shelton Street, Covent Garden, London, WC2H 9JQ, ENGLAND



PROSCENIC TECHNOLOGY GmbH

Laubenhof 23, Essen Nordrhein-Westfalen 45326 Deutschland

E-mail: proscenicde@outlook.com Tel: +49211 9753 8868

尺寸:245*214mm

材质:封面封底200g铜板纸+哑膜

内页157g铜板纸

封装方式:骑马钉

印刷颜色:单黑印刷